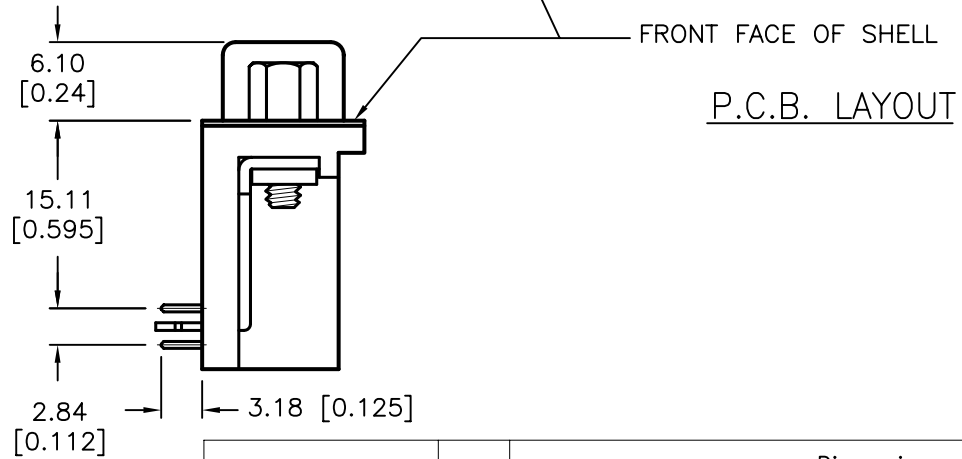
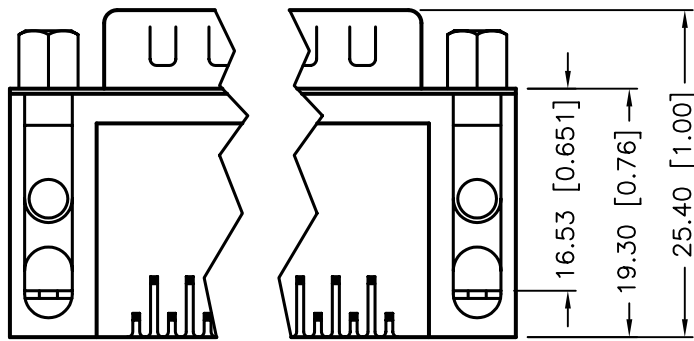
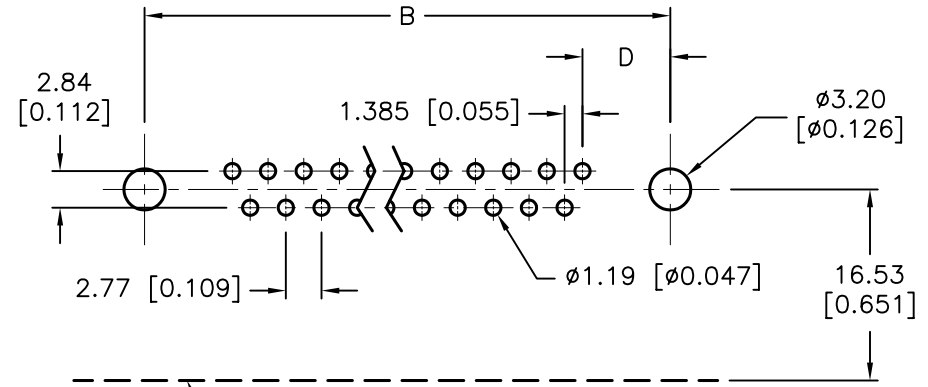
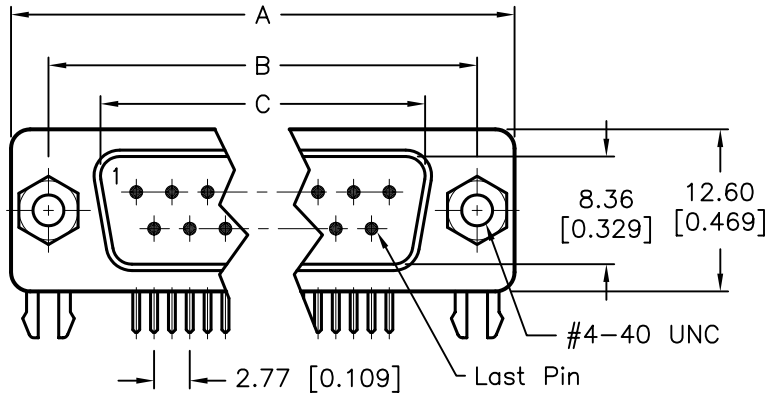


REVISIONS

| DCP # | REV | DESCRIPTION            | DRAWN | DATE     | CHECKD | DATE     | APPRVD | DATE     |
|-------|-----|------------------------|-------|----------|--------|----------|--------|----------|
| 1258  | A   | RELEASED               | HO    | 8/30/02  | JWM    | 8/30/02  | DJC    | 8/30/02  |
| 1622  | B   | Corrected Boarder Dim. | HO    | 11/14/03 | JC     | 11/14/03 | JC     | 11/14/03 |



**SPECIFICATION:**

1. Shell: Steel, Tin-Plated
2. Contact: Phosphor bronze, Gold-Plated
3. Insulator: PBT & Glass-Fibre Reinforced Black
4. Current Rating: 5 Amps
5. Dielectric Strength: 1000V for One Minute
6. Insulator Resistance: 1000 Megohm Min. at 500V DC
7. Temperature: -55°C to +105°C

| SPC Type No.  | Pins | Dimensions    |               |               |               |
|---------------|------|---------------|---------------|---------------|---------------|
|               |      | A             | B             | C             | D             |
| DE9PMP-FRS-2  | 9    | 30.81 [1.213] | 24.99 [0.984] | 16.92 [0.66]  | 6.955 [0.274] |
| DA15PMP-FRS-2 | 15   | 39.14 [1.541] | 33.32 [1.312] | 25.25 [0.994] | 6.965 [0.274] |
| DB25PMP-FRS-2 | 25   | 53.04 [2.088] | 47.04 [1.852] | 38.96 [1.534] | 6.90 [0.272]  |
| DC37PMP-FRS-2 | 37   | 69.32 [2.729] | 63.50 [2.500] | 55.42 [2.182] | 6.82 [0.269]  |

DISCLAIMER:  
ALL STATEMENTS AND TECHNICAL INFORMATION CONTAINED HEREIN ARE BASED UPON INFORMATION AND/OR TESTS WE BELIEVE TO BE ACCURATE AND RELIABLE. SINCE CONDITIONS OF USE ARE BEYOND OUR CONTROL, THE USER SHALL DETERMINE THE SUITABILITY OF THE PRODUCT FOR THE INTENDED USE AND ASSUME ALL RISK AND LIABILITY WHATSOEVER IN CONNECTION THEREWITH.

**TOLERANCES:**

Tolerances Unless  
Otherwise Specified  
.X ±0.2 [0.008]  
.XX ±0.12 [0.005]

|               |         |
|---------------|---------|
| DRAWN BY:     | DATE:   |
| HISHAM ODISH  | 8/30/02 |
| CHECKED BY:   | DATE:   |
| JEFF MCVICKER | 8/30/02 |
| APPROVED BY:  | DATE:   |
| DANIEL CAREY  | 8/30/02 |

DRAWING TITLE:  
**D-Sub, Right Angle, Snap-In, PCB Type, Male**

|        |          |                     |               |
|--------|----------|---------------------|---------------|
| SIZE   | DWG. NO. | ELECTRONIC FILE     | REV           |
| A      | TA-546   | TA-546.DWG          | B             |
| SCALE: | NTS      | U.O.M.: [mm] INCHES | SHEET: 1 OF 1 |